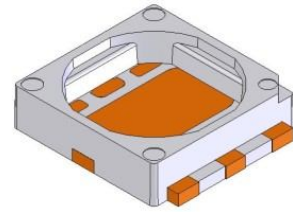
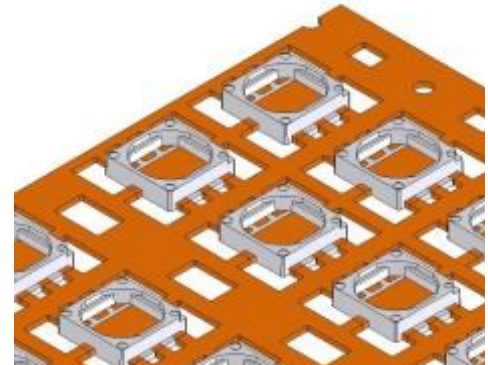


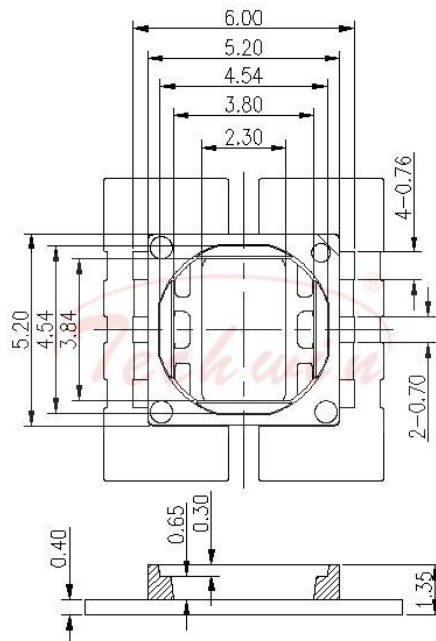
Model 52603



- ▶ **Product No.** AB52603
- ▶ **Product Name** 52603 Lead frame
- ▶ **Materials** Reflector: PPA
Leadframe: Alloy C-194
Finish: Ag
- ▶ **Specification** Dimension
Reflector: 6.0mm*5.2mm*1.35mm (L*W*H)
Leadframe: 144mm*50mm
(Thickness: 0.4mm)
- ▶ **Country of Origin** Taiwan
- ▶ **Features** Top View SMD Type
Multi-Chip Type
Trim & Form Ready
High Temperature Resistance
High Reflection
Low Leakage for Epoxy
Low Transparency



Single Part Drawing



Unit :mm