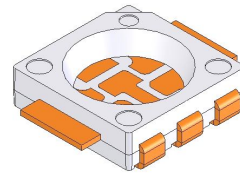
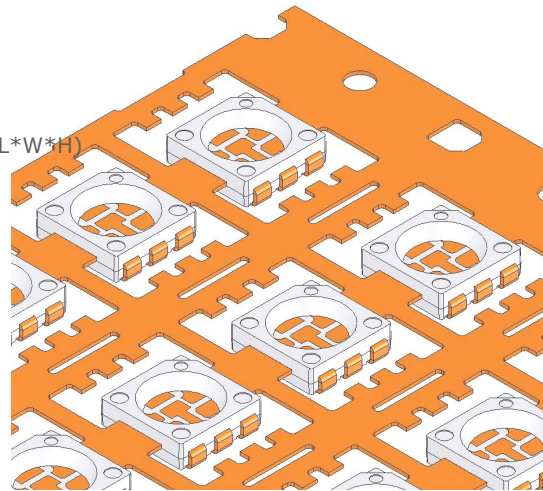


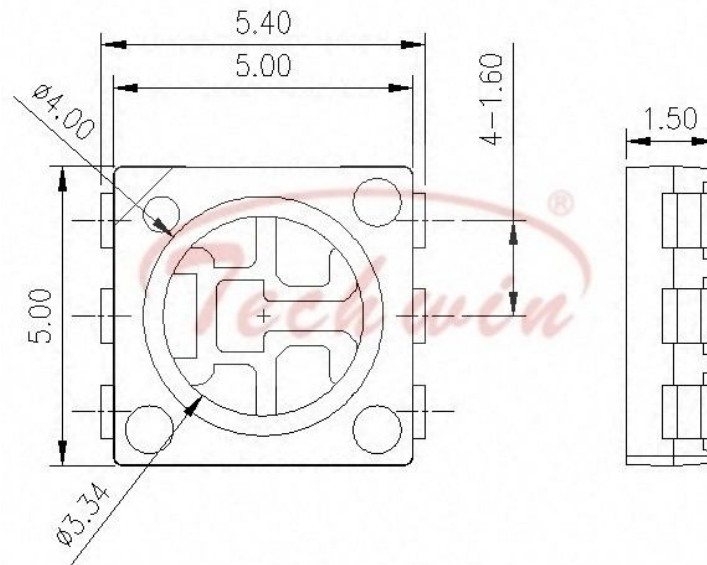
Model 50501



- ▶ **Product No.** AB50501
- ▶ **Product Name** 50501 Lead frame
- ▶ **Materials** Reflector: PPA
Leadframe: Brass C-2680
Finish: Ag
- ▶ **Specification** Dimension
Reflector: 5.0mm*5.0mm*1.5mm (L*W*H)
Leadframe: 144mm*50mm
(Thickness: 0.2mm)
- ▶ **Country of Origin** Taiwan
- ▶ **Features** Top View SMD Type
Multi-Chip Type
Trim & Form Ready
High Temperature Resistance
High Reflection
Low Leakage for Epoxy
Low Transparency



Single Part Drawing



Unit : mm