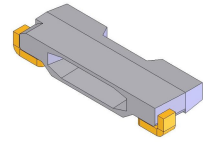
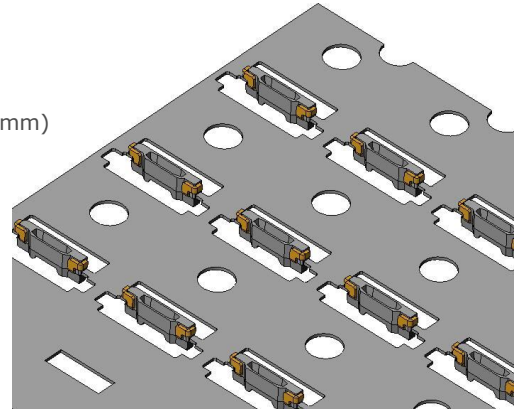


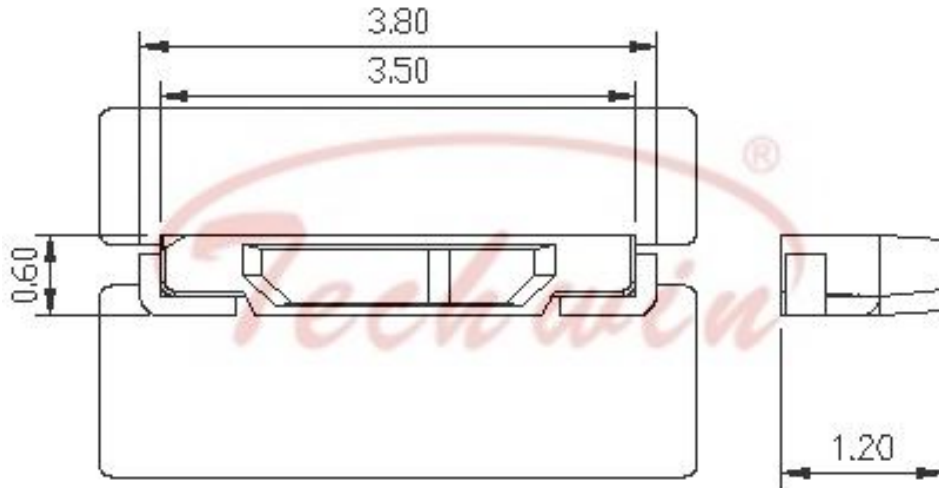
Model 3506



- ▶ **Product No.** AB3506
- ▶ **Product Name** 3506 Lead frame
- ▶ **Materials** Reflector: PPA
Leadframe: Brass C-2680
Finish: Ag 120 μ" Minimum
- ▶ **Specification** Dimension
Reflector: 3.5mm*0.6mm*1.2mm (L*W*H)
Leadframe: 144mm*49mm (Thickness: 0.15mm)
- ▶ **Country of Origin** Taiwan
- ▶ **Features** Side View SMD Type
One-Chip Type
Trim & Form Ready
High Temperature Resistance
High Reflection
Low Leakage for Epoxy
Low Transparency



Single Part Drawing



Unit : mm