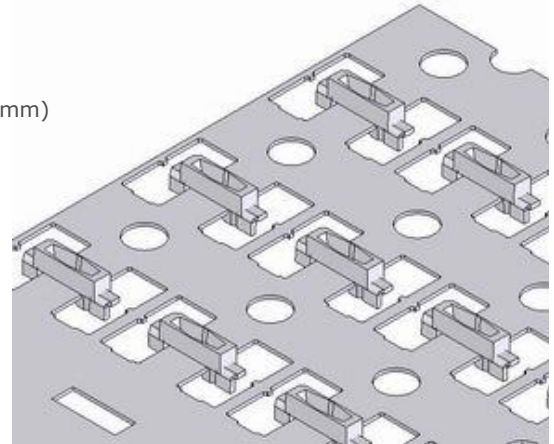
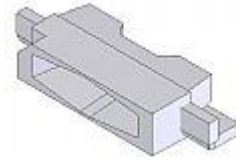
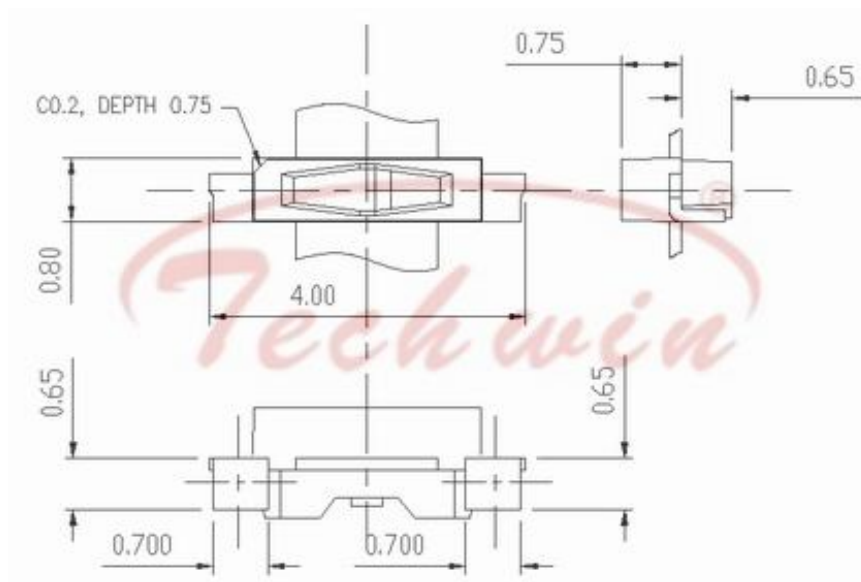


Model 2908

- ▶ Product No. AB2908
- ▶ Product Name 2908 Lead frame
- ▶ Materials Reflector: PPA
Leadframe: Brass C-2680
Finish: Ag 120 μ" Minimum
- ▶ Specification Dimension
Reflector: 2.9mm*0.8mm*1.4mm (L*W*H)
Leadframe: 144mm*49mm (Thickness: 0.15mm)
- ▶ Country of Origin Taiwan
- ▶ Features Side View SMD Type
One-Chip Type
Trim & Form Ready
High Temperature Resistance
High Reflection
Low Leakage for Epoxy
Low Transparency



Single Part Drawing



Unit : mm