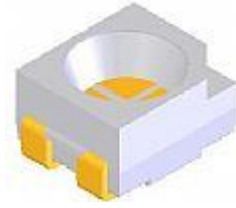
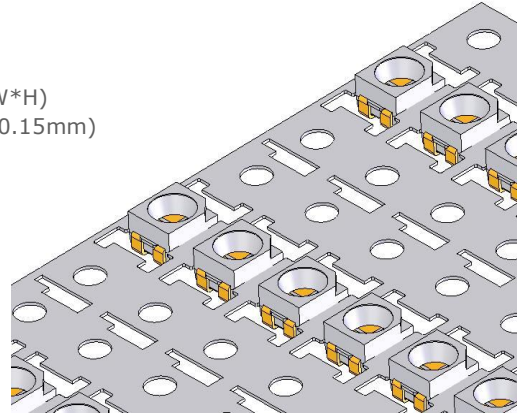


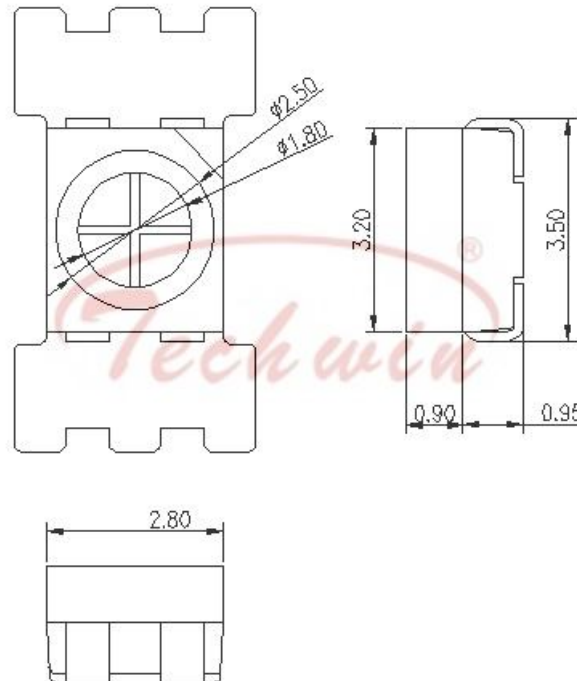
# Model 2832 (3-Chip)



- ▶ **Product No.** AB2832/T4
- ▶ **Product Name** 2832 Lead frame
- ▶ **Materials** Reflector: PPA  
Leadframe: Brass C-2680  
Finish: Ag
- ▶ **Specification** Dimension  
Reflector: 2.8mm\*3.2mm\*1.85mm (L\*W\*H)  
Leadframe: 144mm\*60mm (Thickness: 0.15mm)
- ▶ **Country of Origin** Taiwan
- ▶ **Features** Top View SMD Type  
3-Chip / Full-Color Type  
Trim & Form Ready  
High Temperature Resistance  
High Reflection  
Low Leakage for Epoxy  
Low Transparency



## Single Part Drawing



Unit : mm