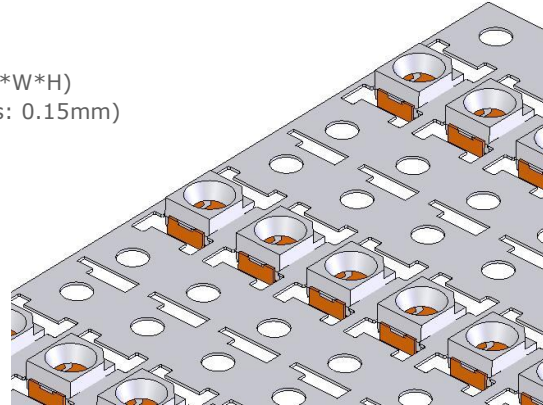
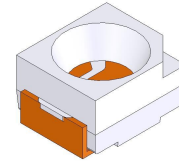
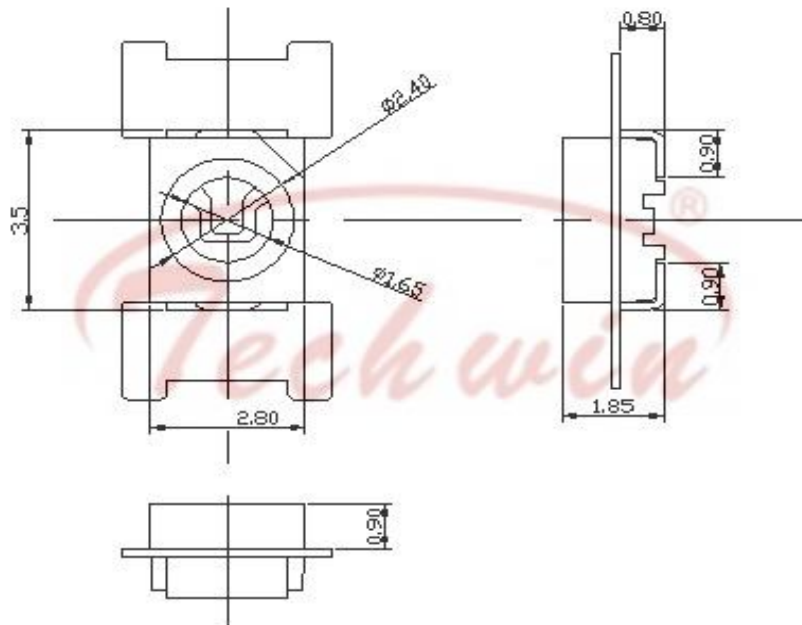


Model 2832 One Chip

- ▶ **Product No.** AB2832
- ▶ **Product Name** 2832 Lead frame
- ▶ **Materials** Reflector: PPA
Leadframe: Brass C-2680
Finish: Ag
- ▶ **Specification** Dimension
Reflector: 2.8mm*3.2mm*1.85mm (L*W*H)
Leadframe: 144mm*60mm (Thickness: 0.15mm)
- ▶ **Country of Origin** Taiwan
- ▶ **Features** Top View SMD Type
One-chip Type
Trim & Form Ready
High Temperature Resistance
High Reflection
Low Leakage for Epoxy
Low Transparency



Single Part Drawing



Unit : mm