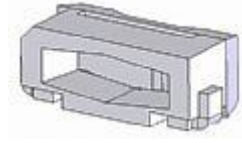
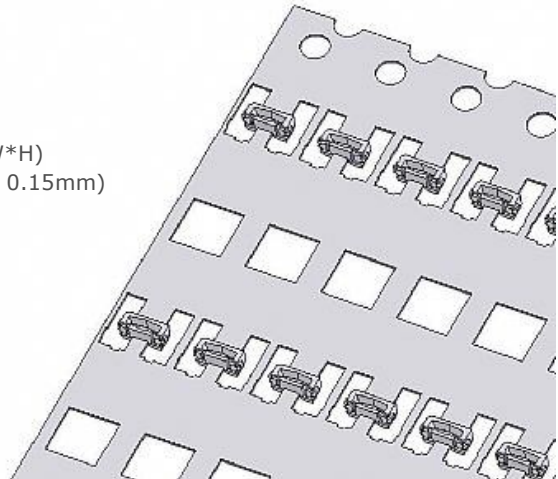


Model 2510

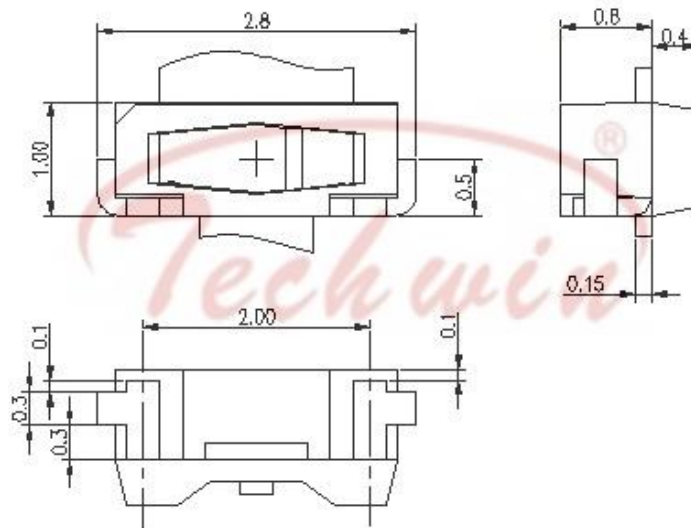


- ▶ **Product No.** AB2510
- ▶ **Product Name** 2510 Lead frame
- ▶ **Materials** Reflector: PPA
Leadframe: Brass C-5191
Finish: Ag
- ▶ **Specification** Dimension
Reflector: 2.5mm*1.0mm*1.2mm (L*W*H)
Leadframe: 144mm*60mm (Thickness: 0.15mm)
- ▶ **Country of Origin** Taiwan
- ▶ **Features** Side View SMD Type
One-Chip Type
Trim & Form Ready
High Temperature Resistance
High Reflection
Low Leakage for Epoxy
Low Transparency



Single Part Drawing

Unit: mm



Unit : mm